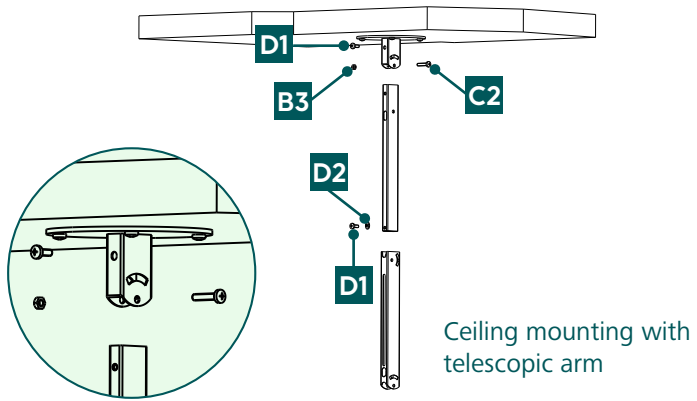
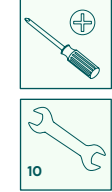


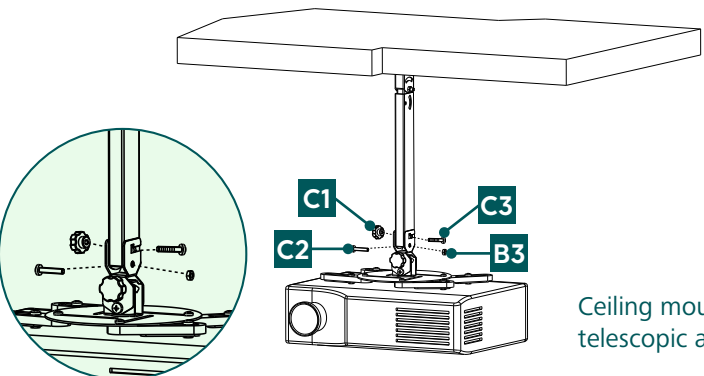
7a Assembling telescopic arm



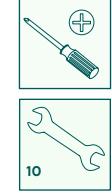
Ceiling mounting with telescopic arm



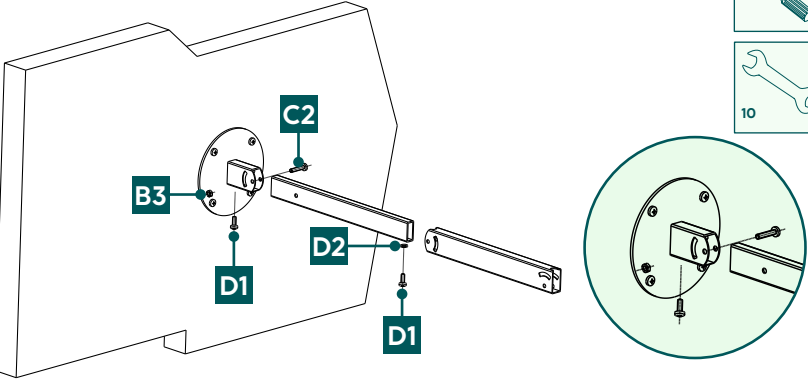
7b Fixing telescopic arm



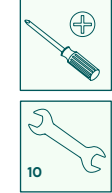
Ceiling mounting with telescopic arm



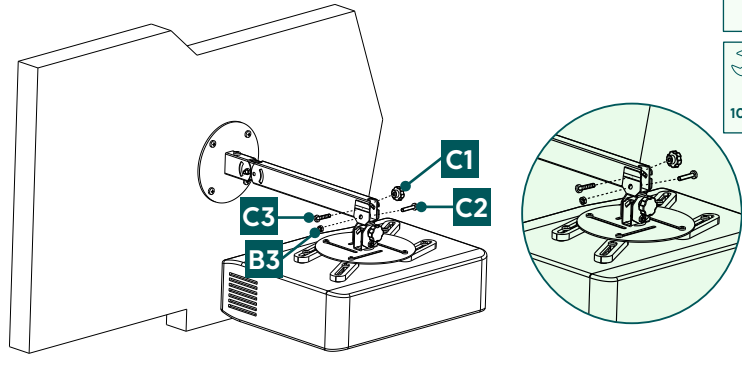
8a Assembling telescopic arm



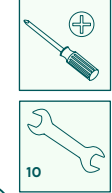
Wall mounting



8b Fixing telescopic arm



Wall mounting

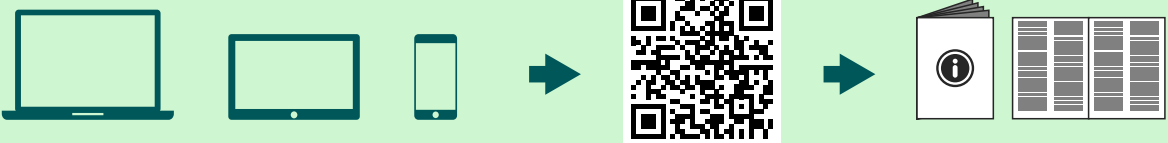


We are so happy you chose a hama product.

**Enjoy using it!**



??  
**Do you need more help?**



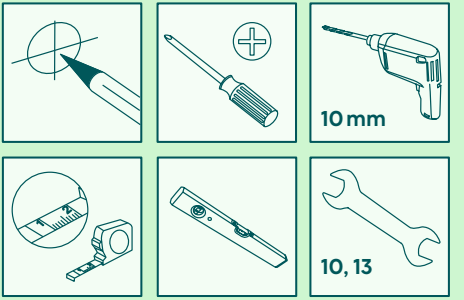
Scan QR or visit: [support.hama.com/00220880](https://support.hama.com/00220880)



**hama**

# Quick Installation Guide

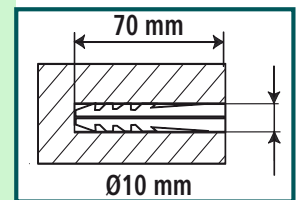
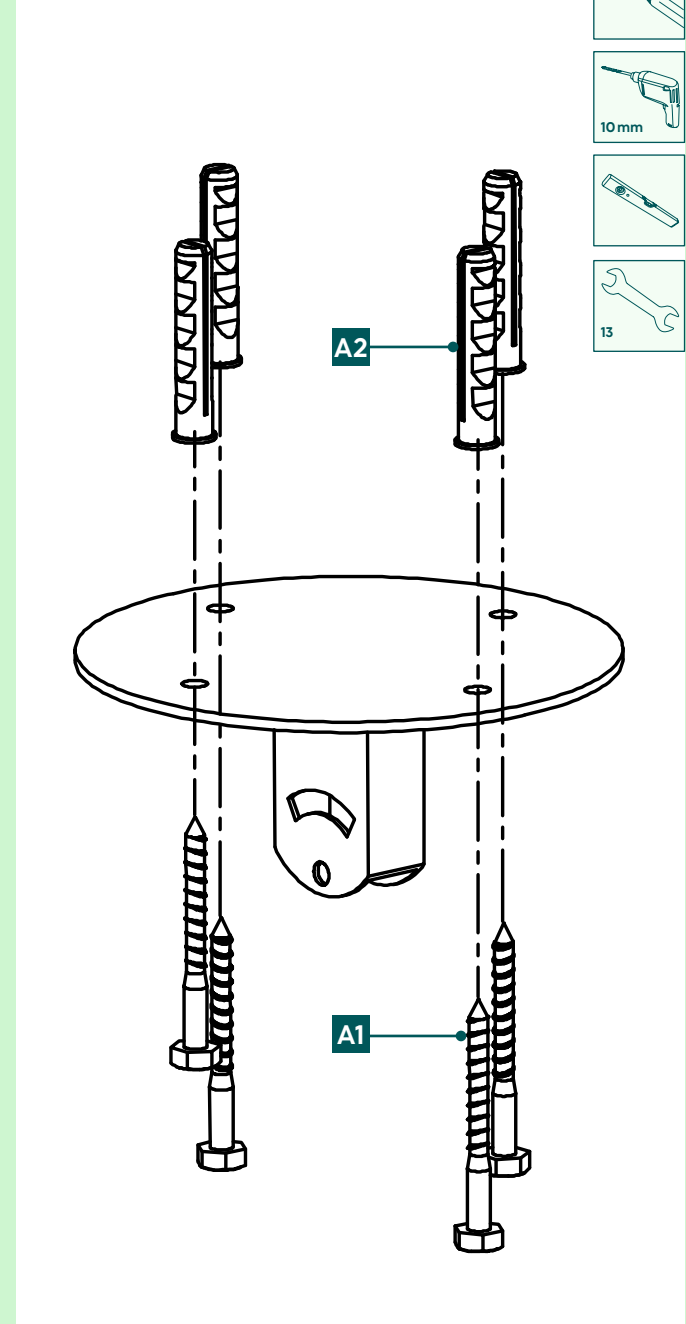
## Required tools



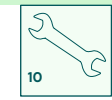
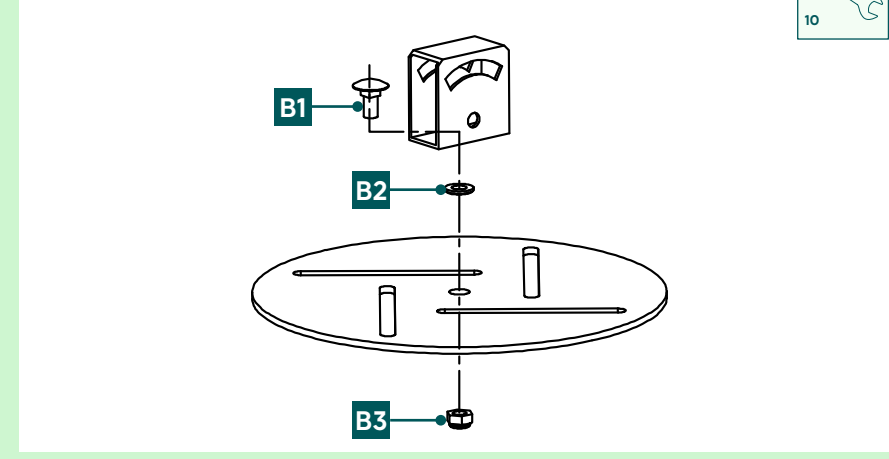
## Installation kit

<b>A1</b>		8x65 (x4)	<b>C3</b>		M6x35 (x2)
<b>A2</b>		Ø10x60 (x4)	<b>D1</b>		M6x14 (x6)
<b>B1</b>		M6x16 (x1)	<b>D2</b>		M6 (x5)
<b>B2</b>		M8 (x1)	<b>E1</b>		M3x14 (x4)
<b>B3</b>		M6 (x8)	<b>E2</b>		M4x14 (x4)
<b>C1</b>		M6 (x2)	<b>E3</b>		M5x14 (x4)
<b>C2</b>		M6x35 (x3)	<b>E4</b>		M4 (x4)

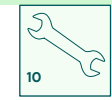
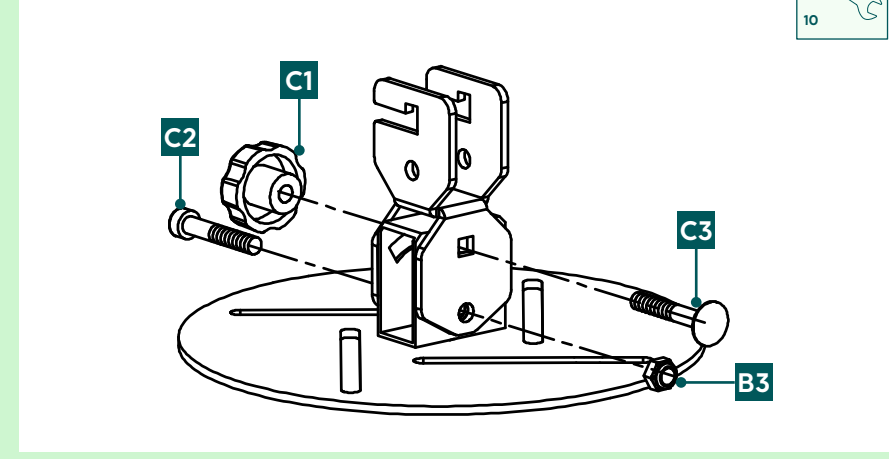
### 1 Mounting the bracket



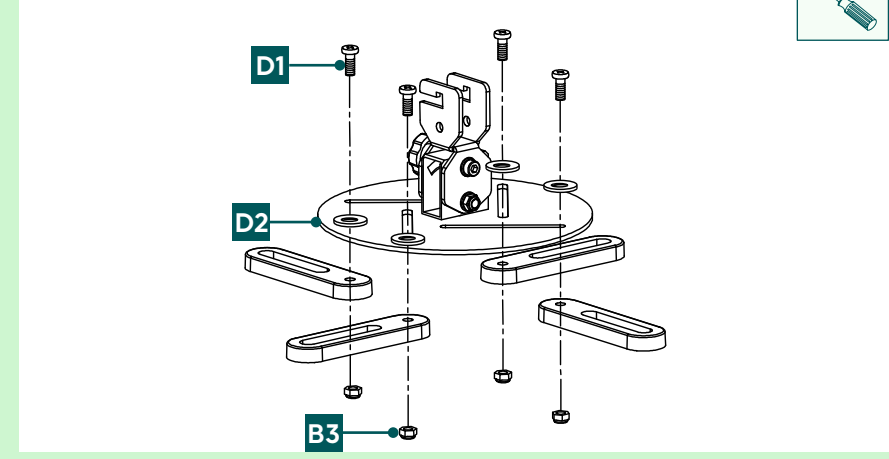
### 2 Fixing plate



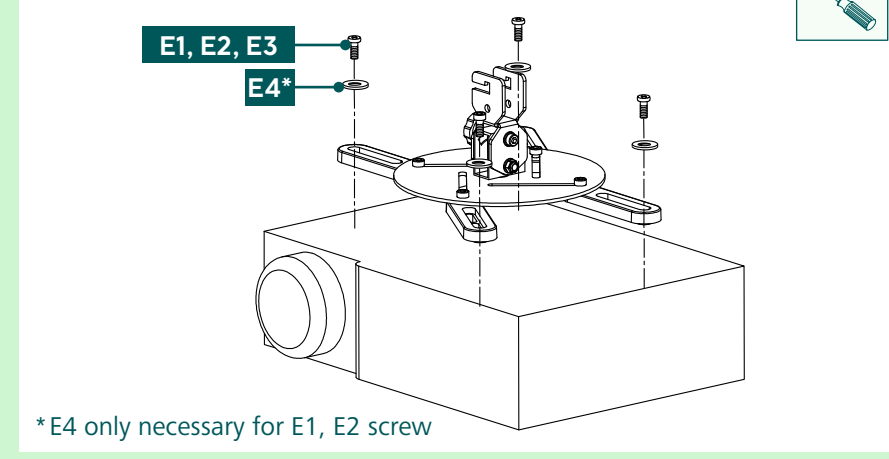
### 3 Fixing hook



### 4 Fixing holding arms

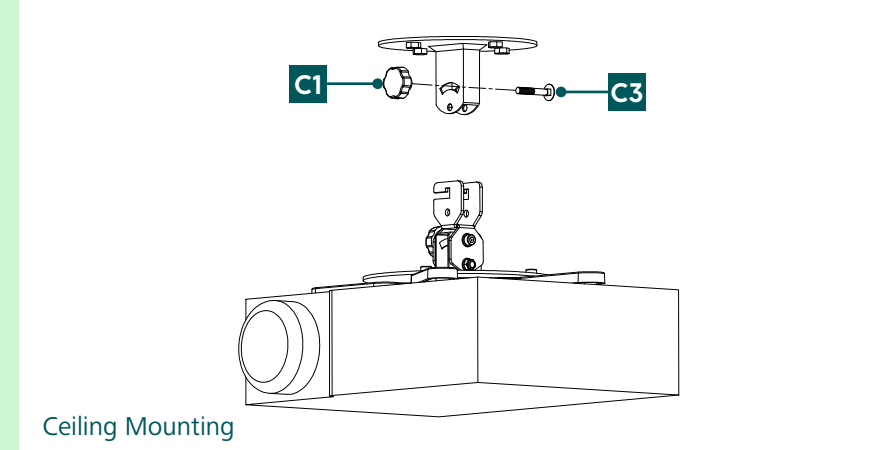


### 5 Mounting to the projector



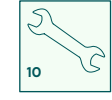
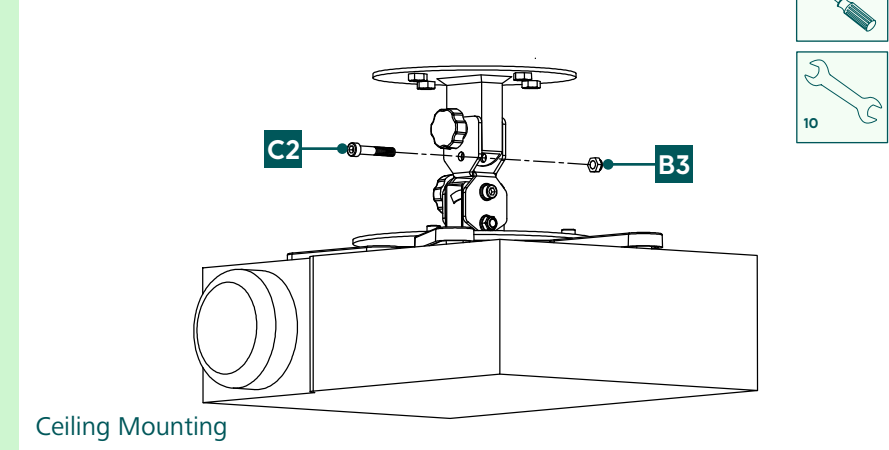
\* E4 only necessary for E1, E2 screw

### 6a Connecting bracket and holder



Ceiling Mounting

### 6b Fixing the bracket



Ceiling Mounting