

We are so happy you chose a
hama product.

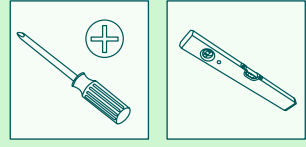
Enjoy using it!



hama

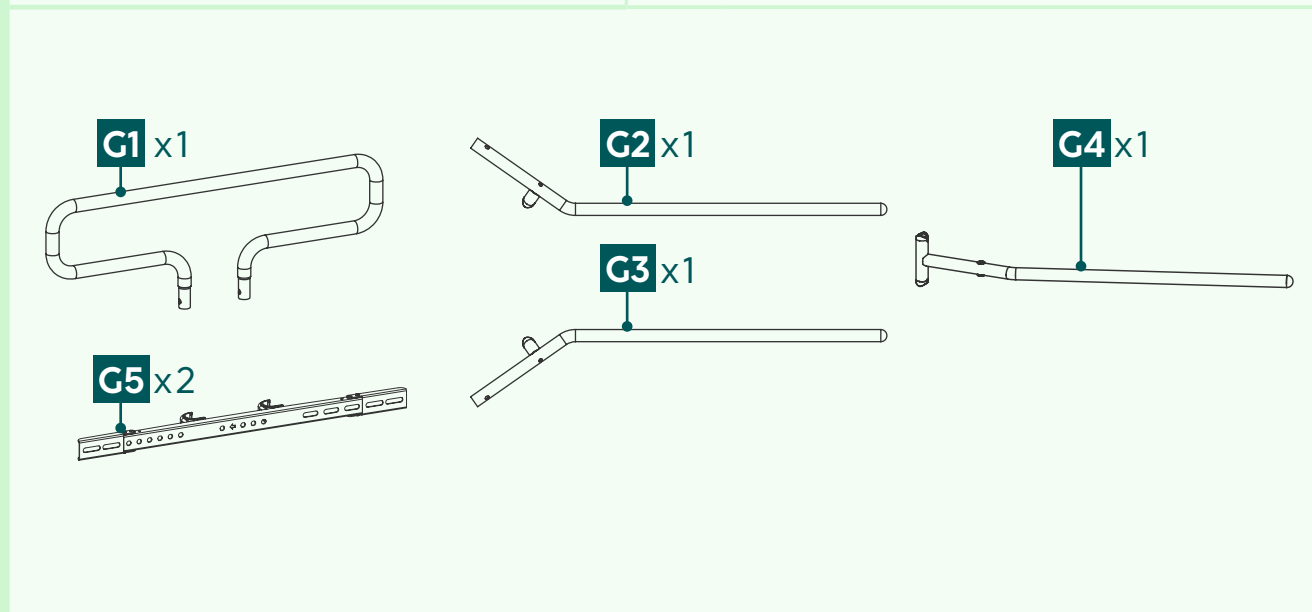
Quick Installation Guide

Required tools

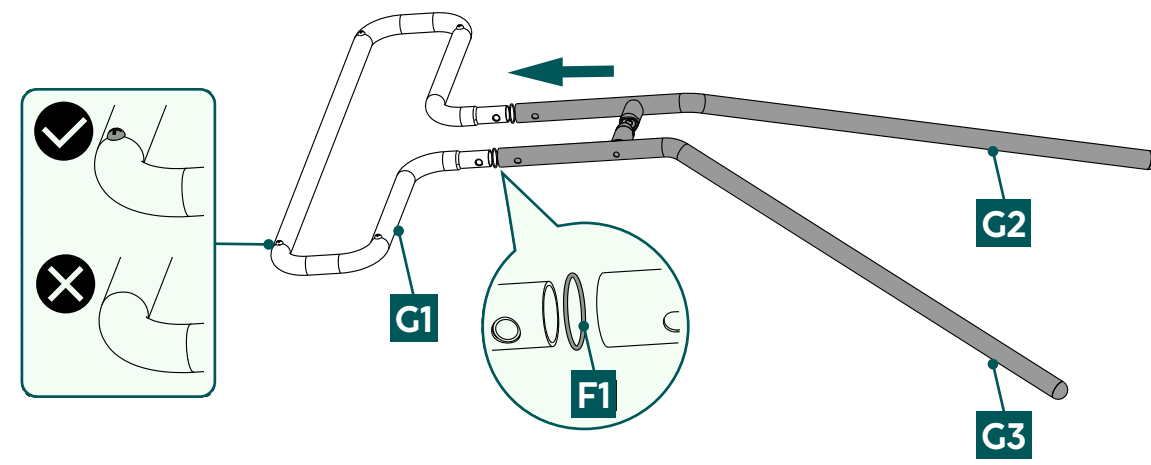


Installation kit

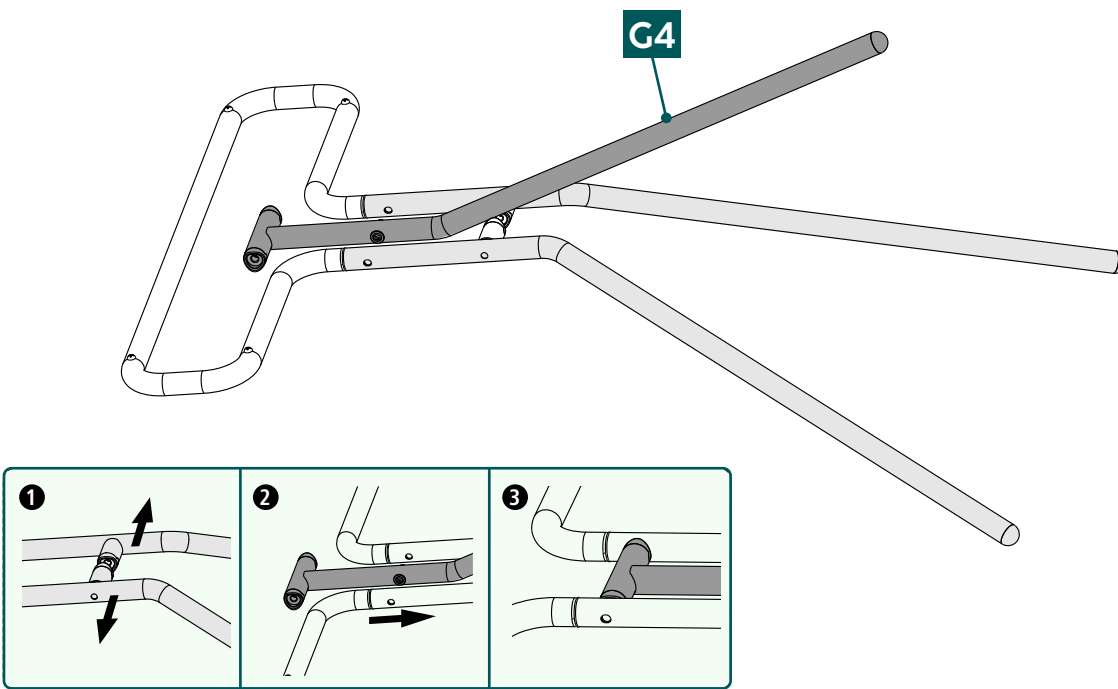
A1		M8x60 (x2)	D1		M8x12 (x4)
A2		M8x80 (x2)	D2		M8x20 (x4)
B1		M6/M8 (x4)	D3		M8x30 (x4)
B2		M8x10 (x4)	D4		M8x50 (x4)
B3		M8x20 (x4)	F1		(x2)
C1		M6x12 (x4)	F2		(x3)
C2		M6x20 (x4)	F3		(x1)



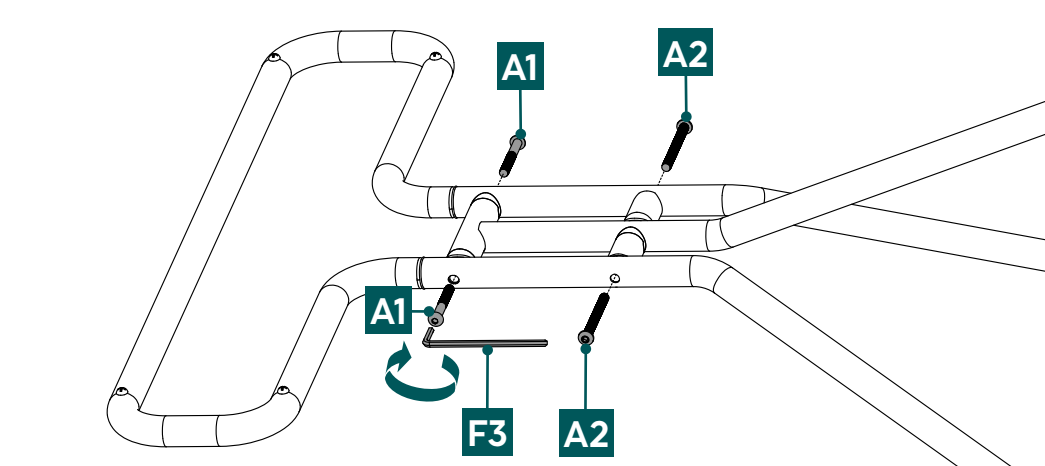
1a Assembling



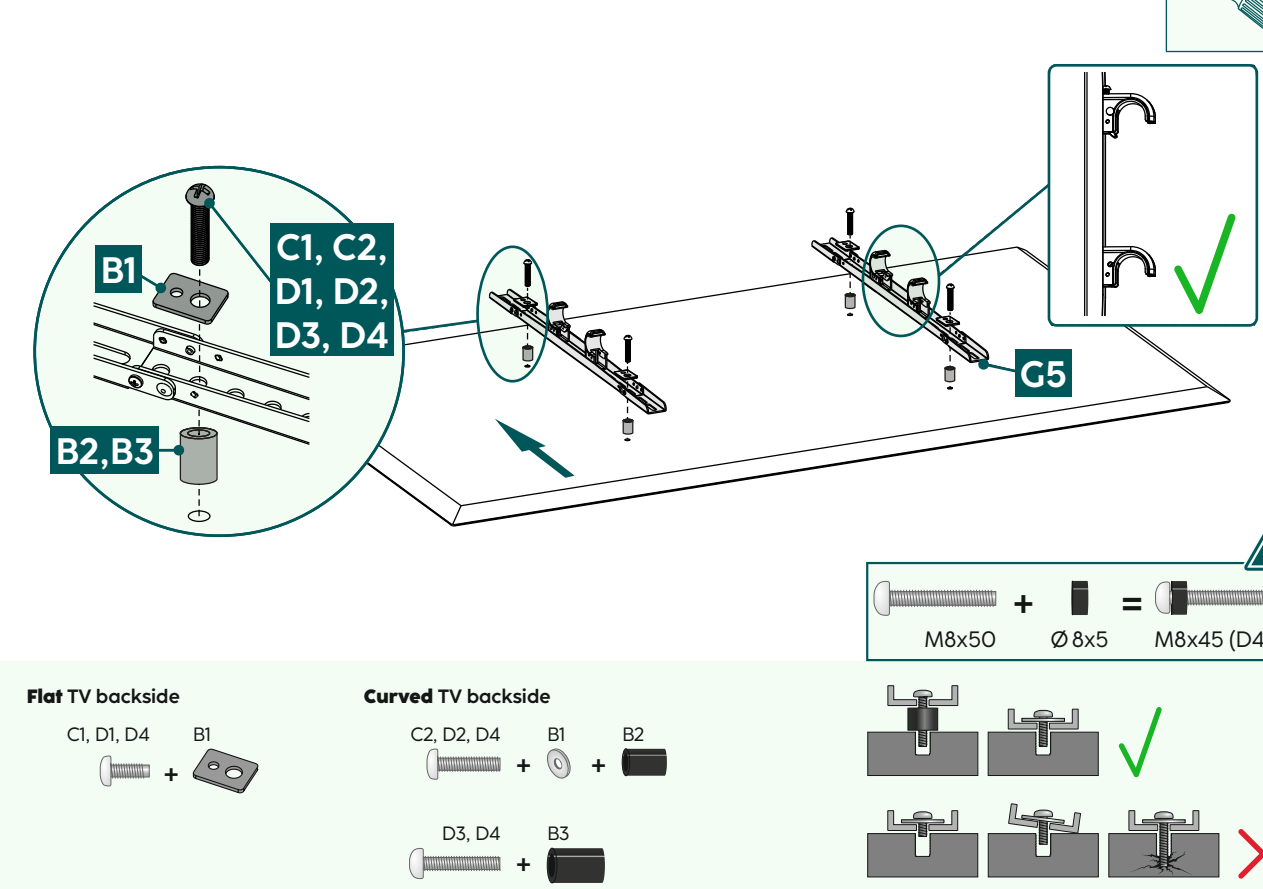
1b Assembling



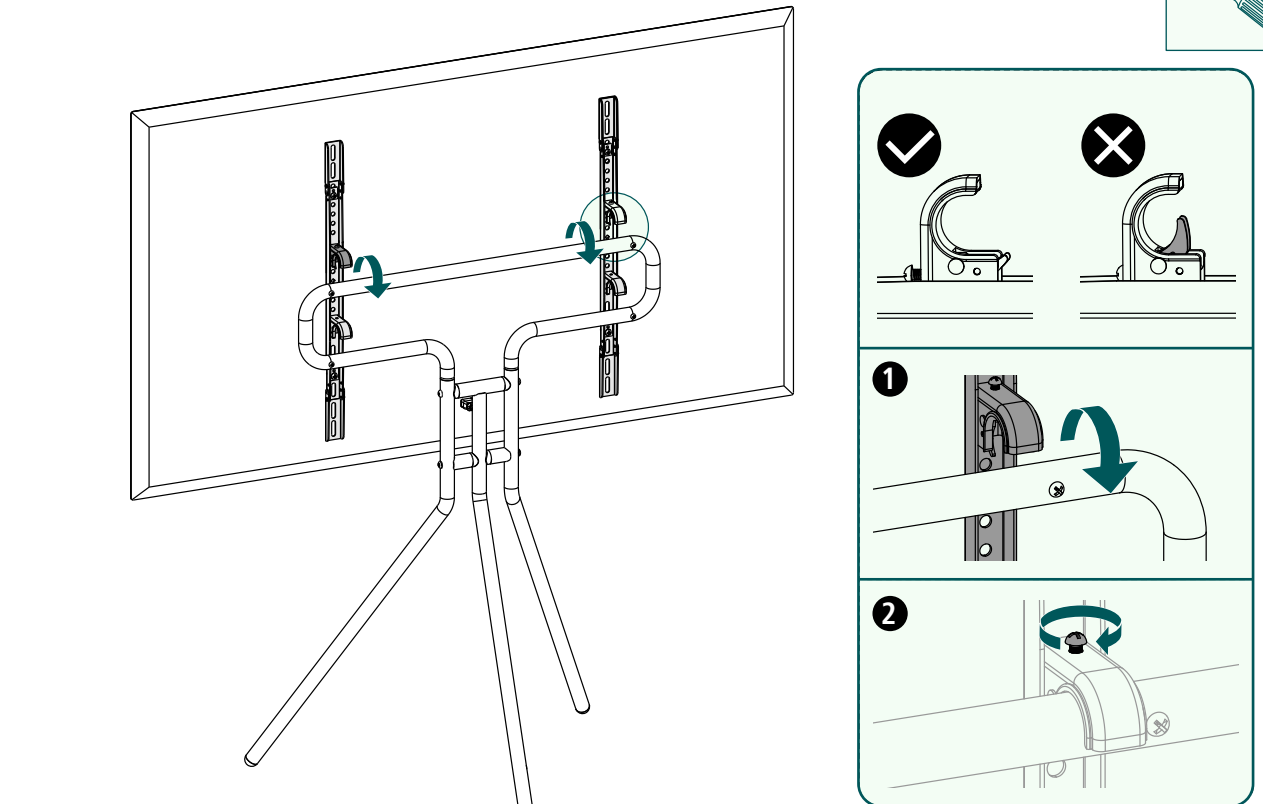
1c Assembling



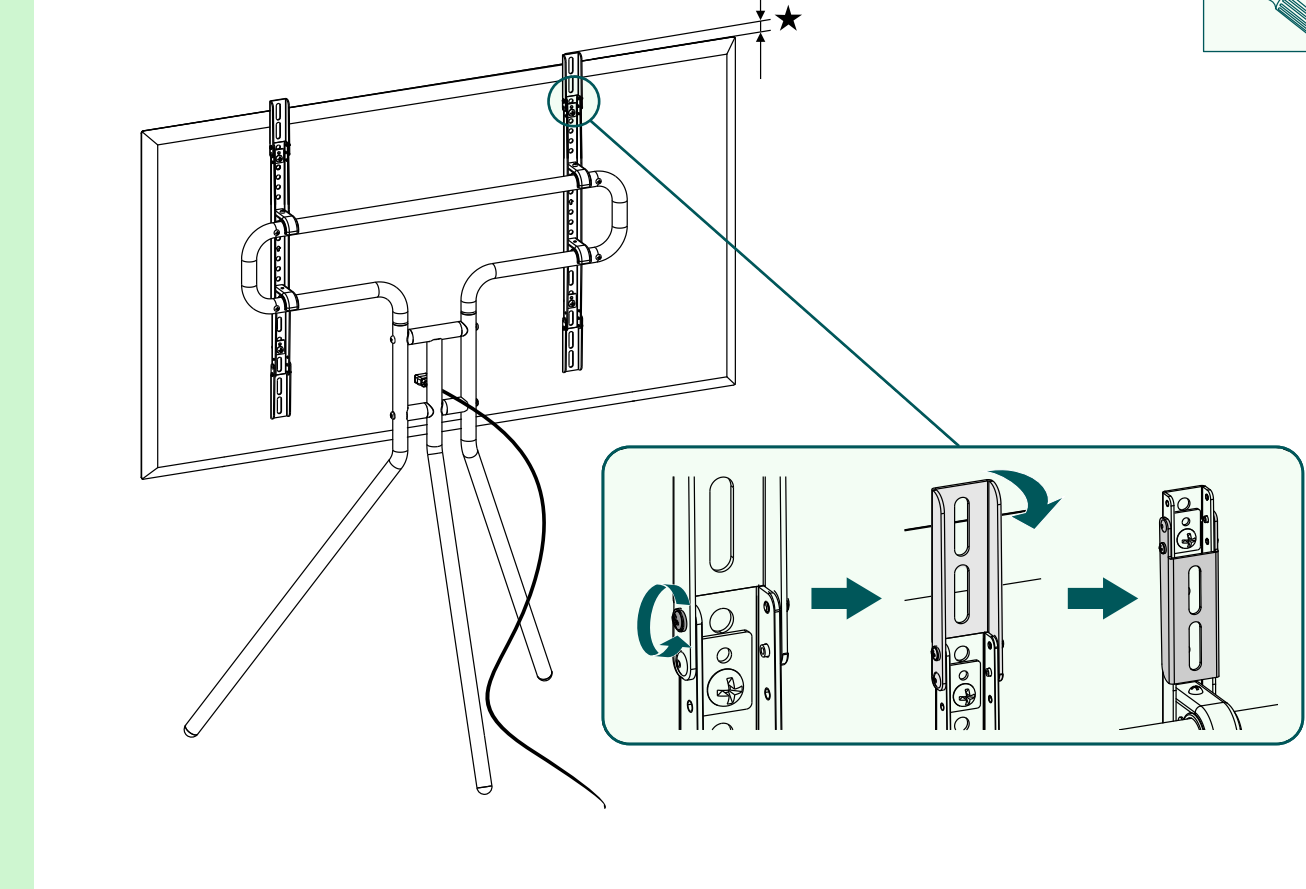
2 Mounting on backside of the TV



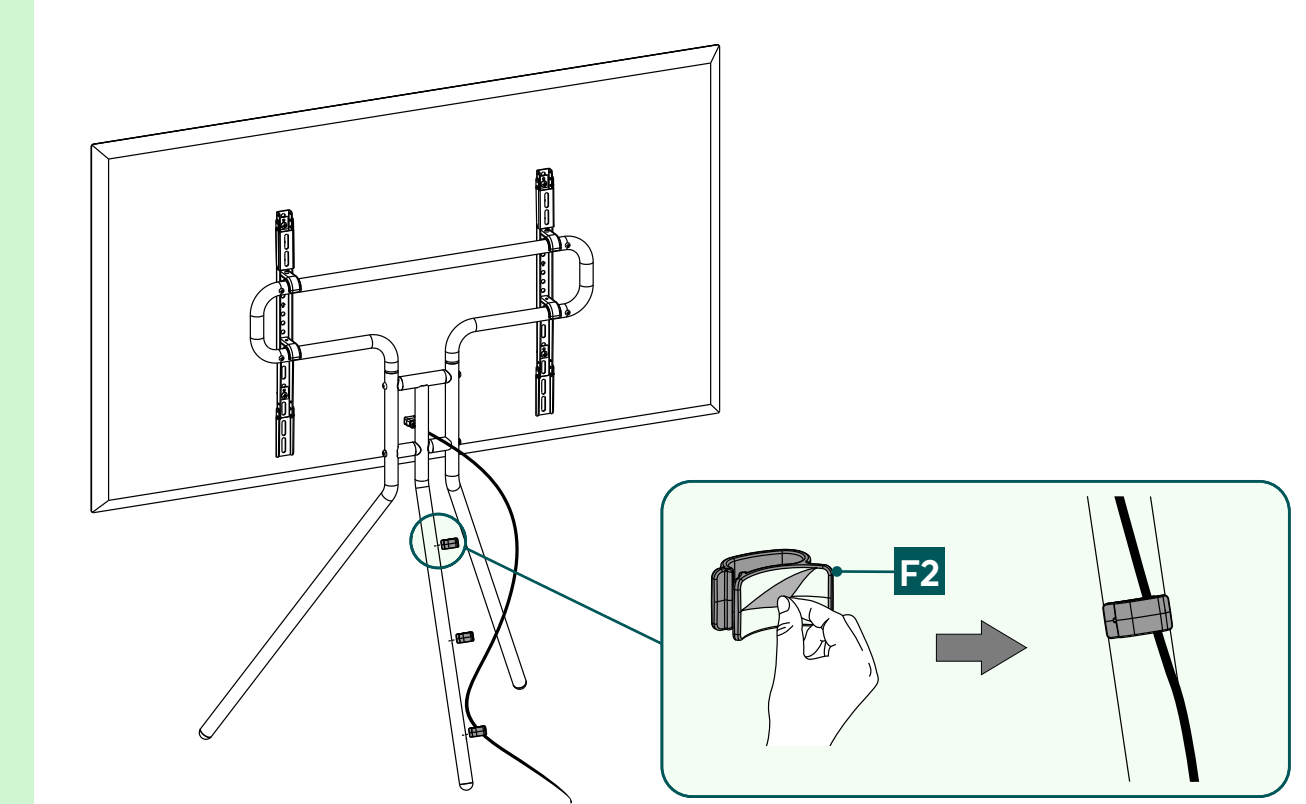
3 Fixing



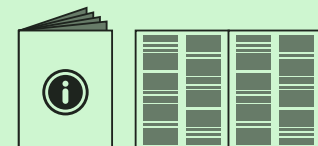
4 Adjustment



5 Attach to run cables



??
Do you need more help?



Scan QR or visit: www.hama.com
00220872 Downloads

