

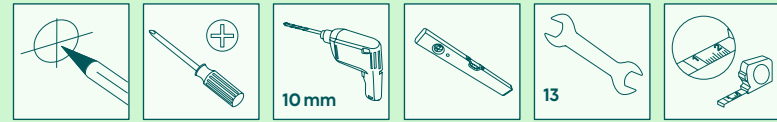
are so happy you chose a
hama product.

Enjoy using it!



Quick Installation Guide

Required tools



Installation kit

A1		8x65 (x5)	D2		M8x20 (x4)
A2		Ø10x60 (x5)	D3		M8x30 (x4)
A3		M8 (x5)	D4		M8x50 (x4)
B1		M6/M8 (x4)	F1		(x1)
B2		Ø8x10 (x4)	G1		(x2)
B3		Ø8x20 (x4)	G2		(x4)
C1		M6x12 (x4)	H1		(x2)
C2		M6x20 (x4)	H2		(x2)
D1		M8x12 (x4)			

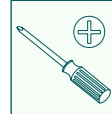
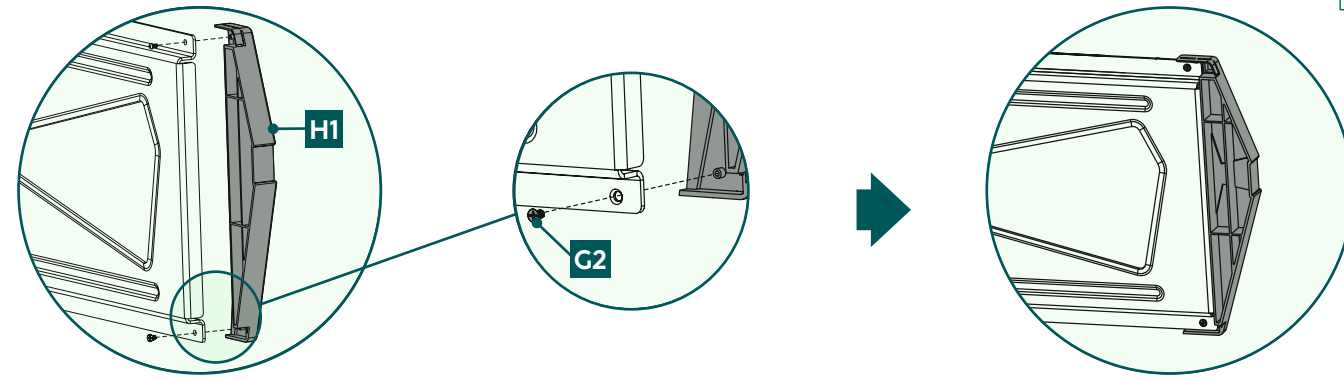
Do you need more help?



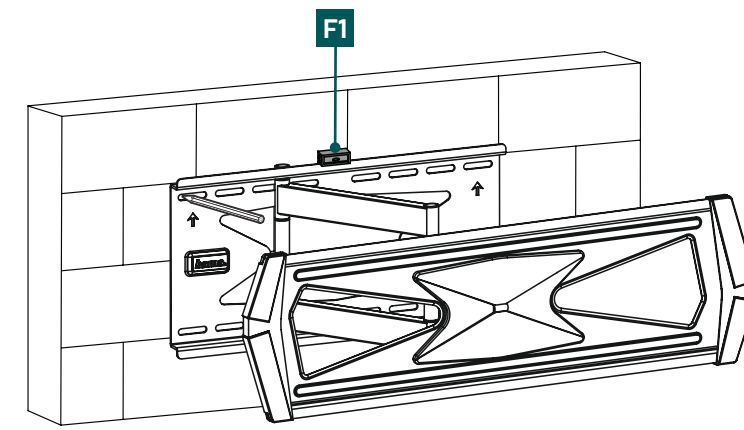
Scan QR or visit: support.hama.com/00220863



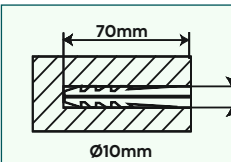
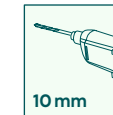
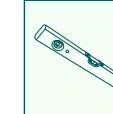
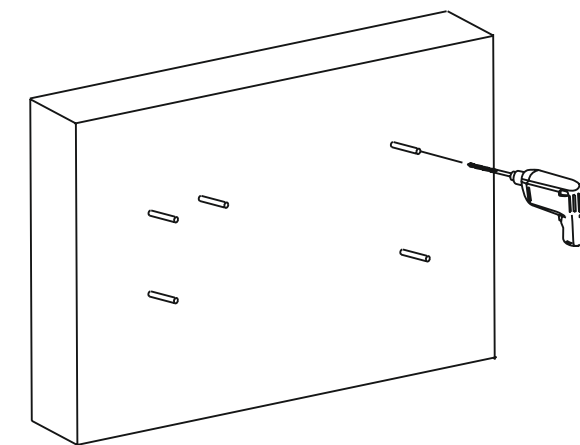
1 Preparing the bracket



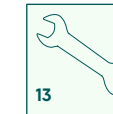
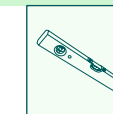
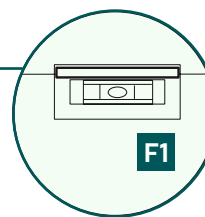
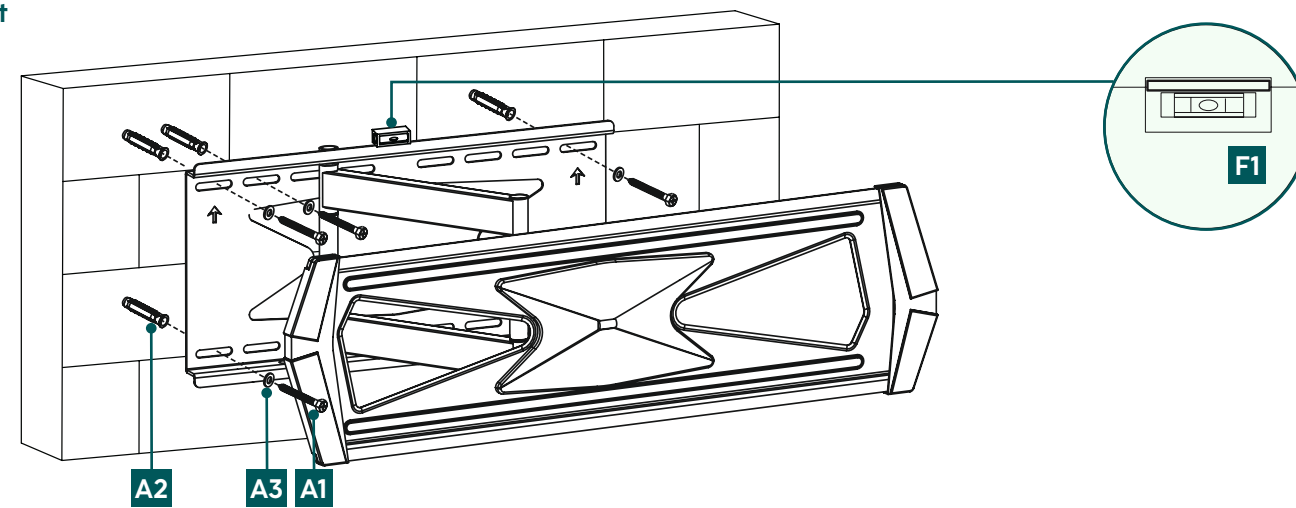
2 Mark drill holes



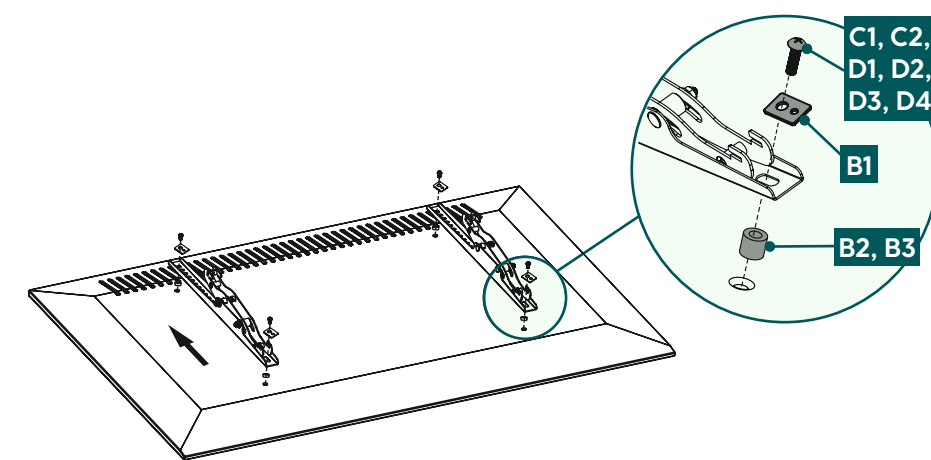
3 Drilling the holes



4 Wall mounting the bracket



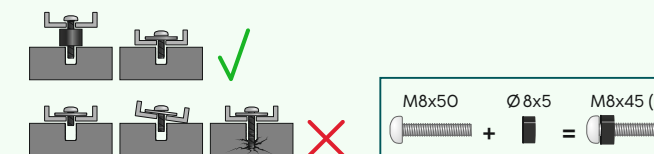
5 Mounting on TV



Flat TV backside
C1, D1, D4 + B1

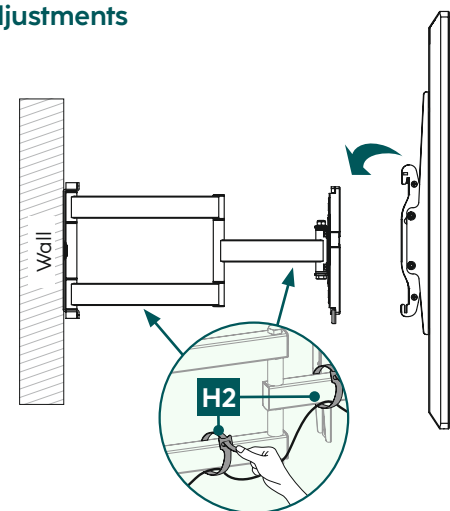
Curved TV backside
C2, D2, D4 + B1 + B2

D3, D4 + B3

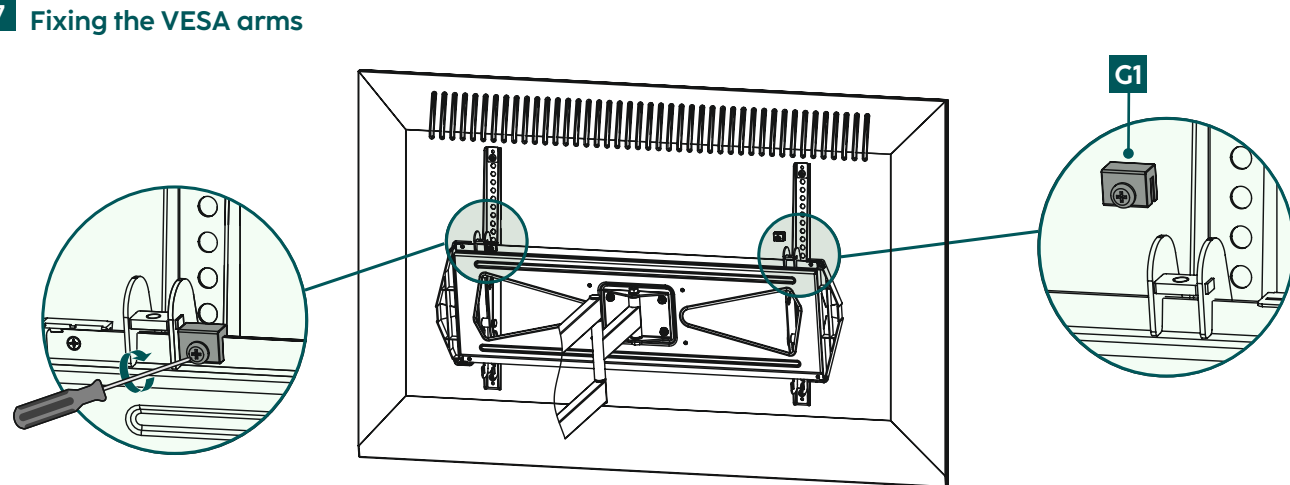


M8x50 + Ø8x5 = M8x45 (D4)

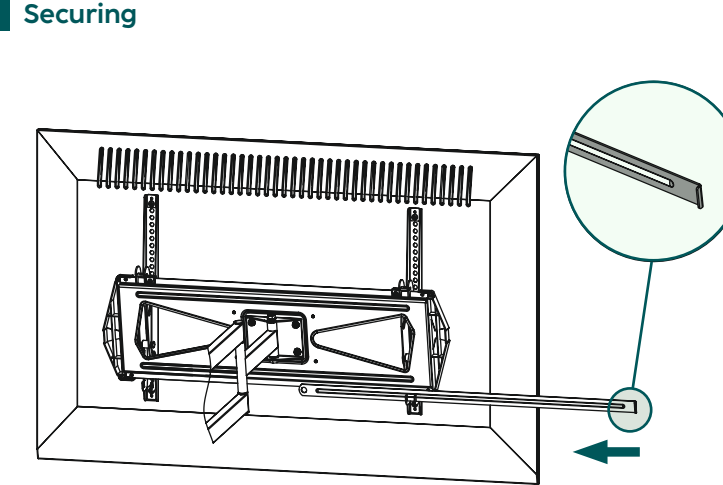
6 Adjustments



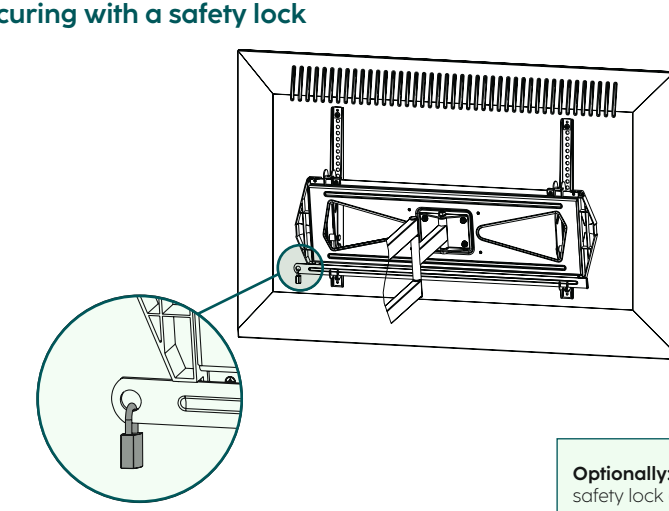
7 Fixing the VESA arms



8 Securing



9 Securing with a safety lock



Optionally:
safety lock (not included)