

We are so happy you chose a
hama product.

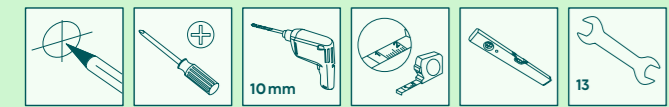
Enjoy using it!



hama

Quick Installation Guide

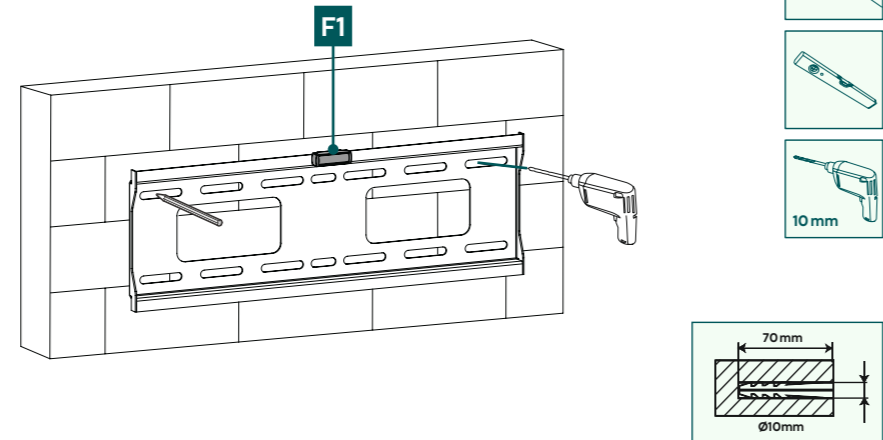
Required tools



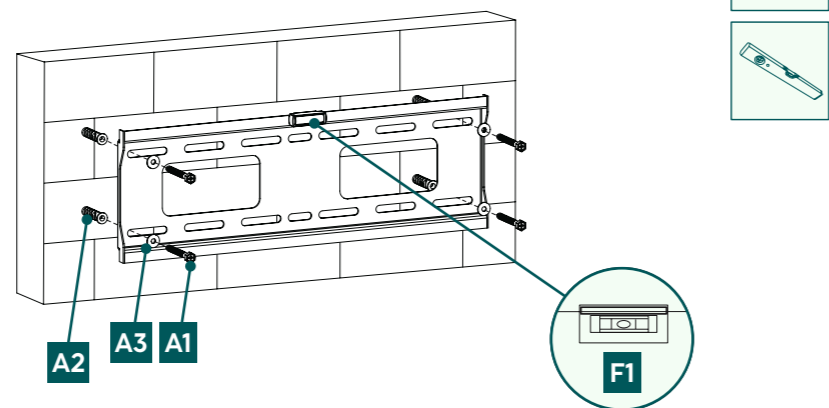
Installation kit

A1		8x65 (x4)	C2		M6x20 (x4)
A2		Ø10x60 (x4)	D1		M8x12 (x4)
A3		M8 (x4)	D2		M8x20 (x4)
B1		M6/M8 (x4)	D3		M8x30 (x4)
B2		Ø8x10 (x4)	D4		M8x50 (x4)
B3		Ø8x20 (x4)	F1		(x1)
C1		M6x12 (x4)			

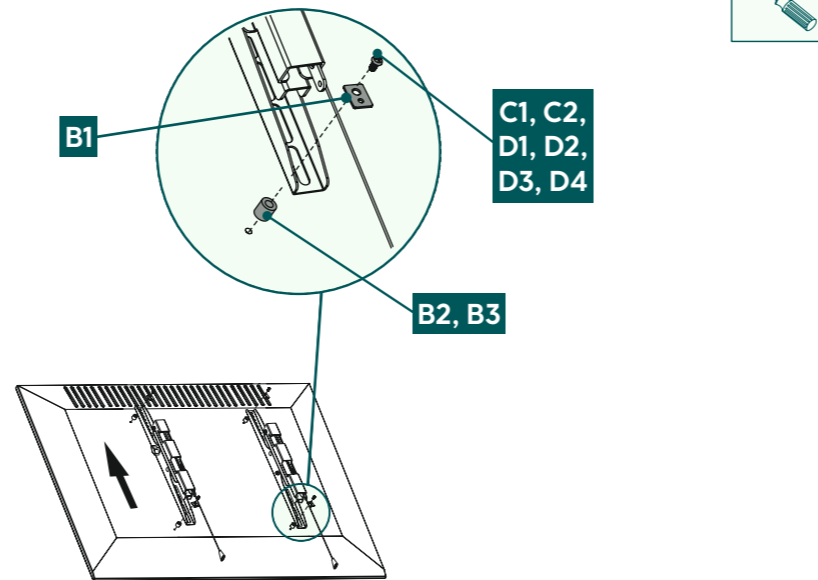
1a Drilling the holes



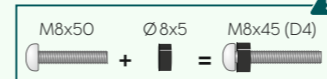
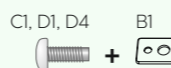
1b Wall mounting the bracket



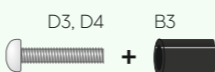
2 Mounting on backside of the TV



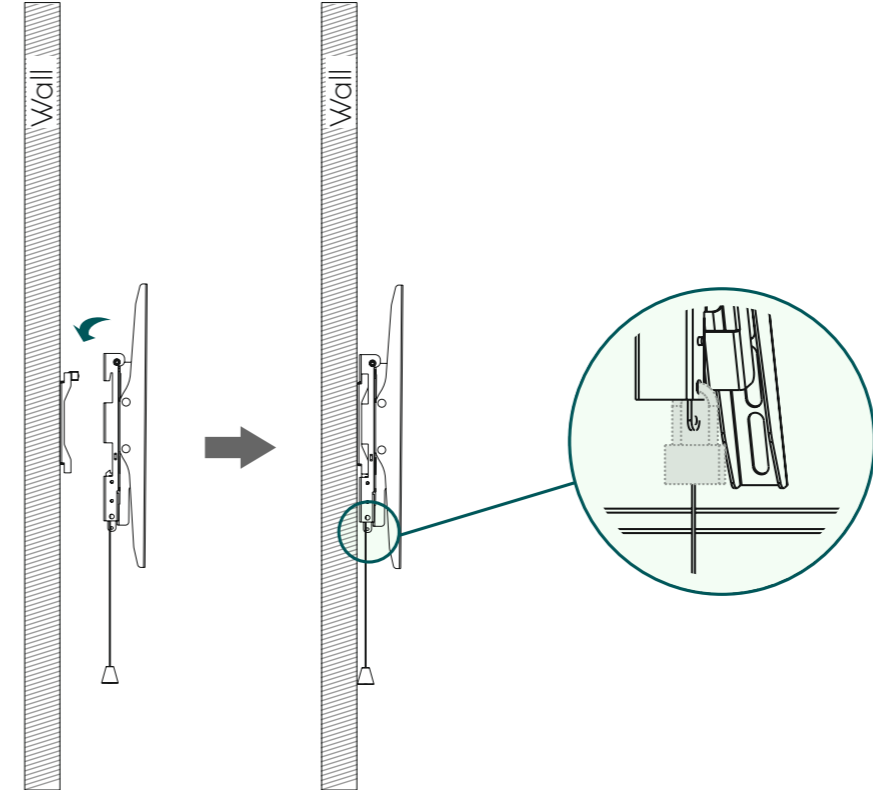
Flat TV backside



Curved TV backside



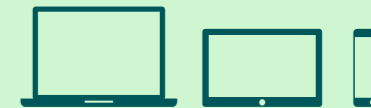
3 Adjustment & Fixing



Optionally:
safety lock (not included)



Do you need more help?



Scan QR or visit:
support.hama.com/00220861