

We are so happy you chose a  
hama product.

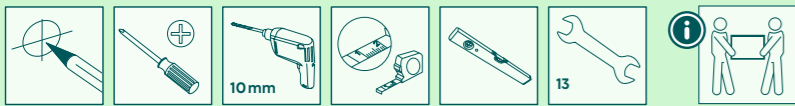
***Enjoy using it!***

***hama***



# Quick Installation Guide

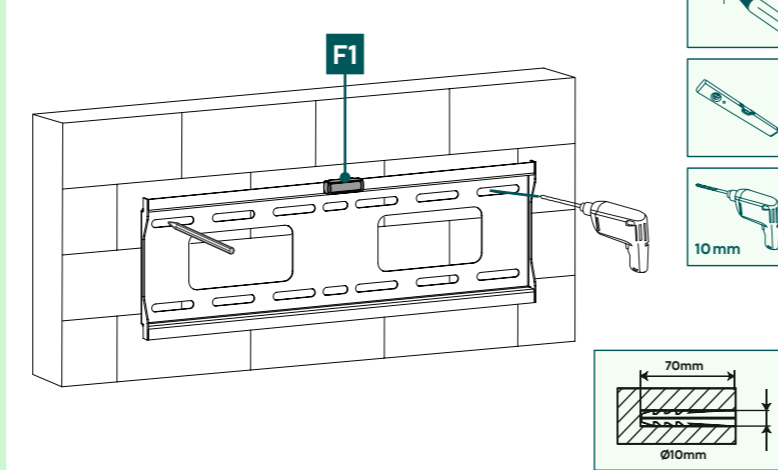
## Required tools



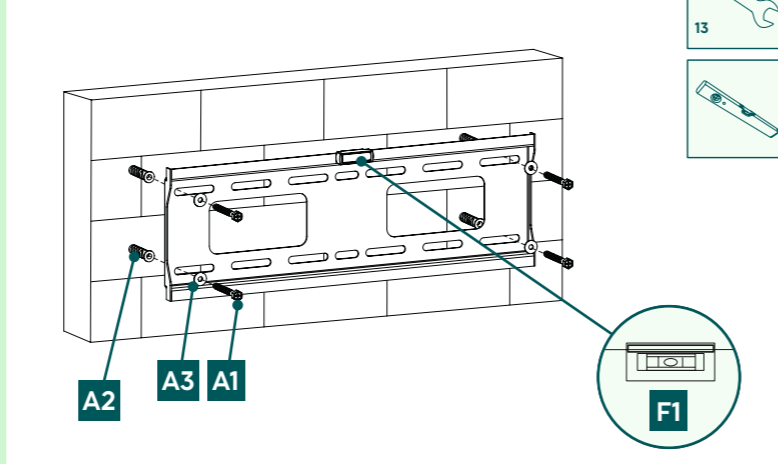
## Installation kit

<b>A1</b>		8x65 (x4)	<b>D1</b>		M8x12 (x4)
<b>A2</b>		Ø10x60 (x4)	<b>D2</b>		M8x20 (x4)
<b>A3</b>		M8 (x4)	<b>D3</b>		M8x30 (x4)
<b>B1</b>		M6/M8 (x4)	<b>D4</b>		M8x50 (x4)
<b>B2</b>		Ø8x10 (x4)	<b>E1</b>		M4x12 (x4)
<b>B3</b>		Ø8x20 (x4)	<b>E2</b>		M4x20 (x4)
<b>C1</b>		M6x12 (x4)	<b>F1</b>		(x1)
<b>C2</b>		M6x20 (x4)			

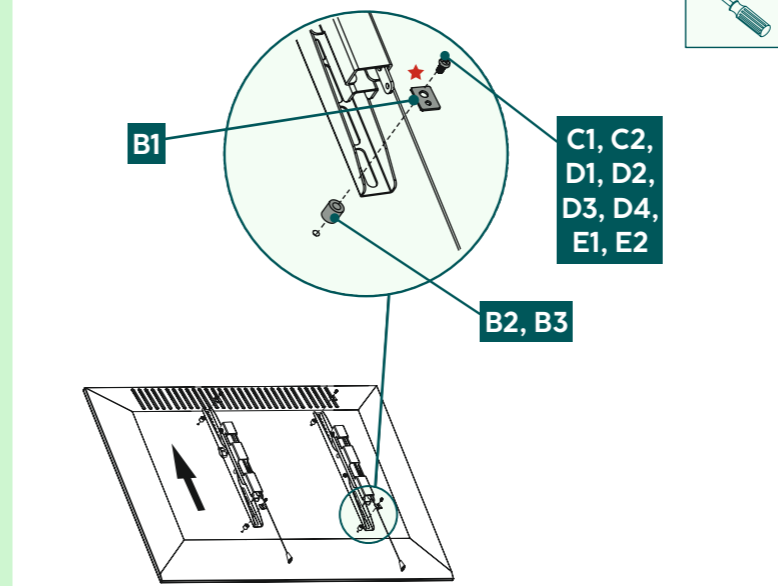
### 1a Drilling the holes



### 1b Wall mounting the bracket



### 2 Mounting on backside of the TV



**Flat TV backside**

C1, D1, D4, E1 + B1 + =

**Curved TV backside**

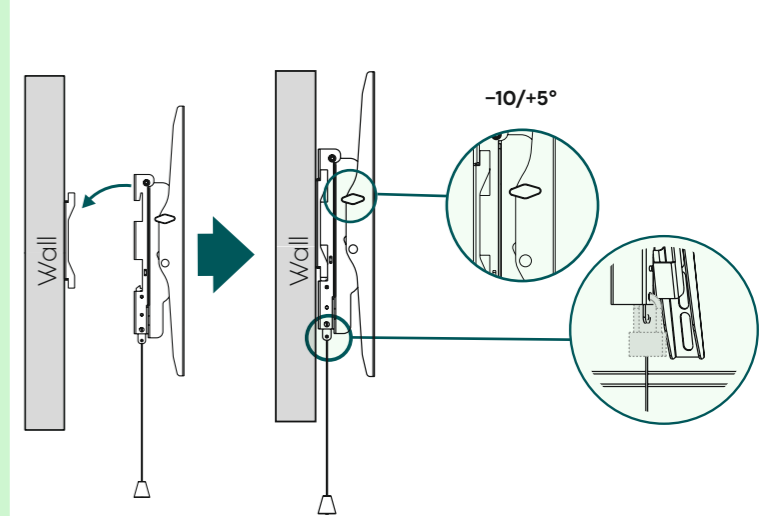
C2, D2, D4, E2 + B1 + +

D3, D4 + B3 +

**Equation:** M8x50 + Ø8x5 = M8x45 (D4)

**Note:** You do not need a washer for the D-screws

### 3 Adjustment & Fixing



Optionally:  
safety lock (not included)

??  
Do you need more help?



Scan QR or visit:  
[support.hama.com/00220859](http://support.hama.com/00220859)

