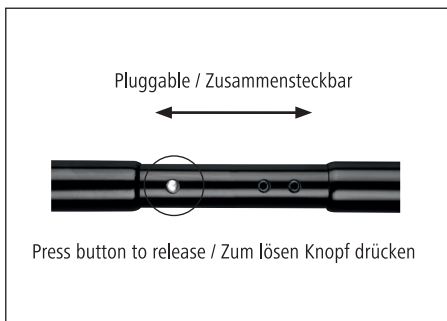
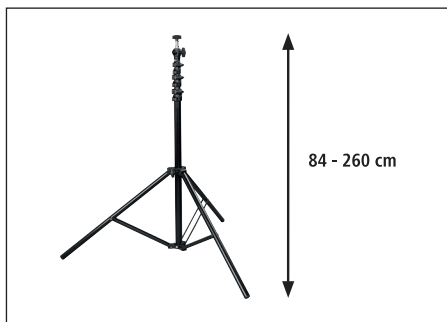
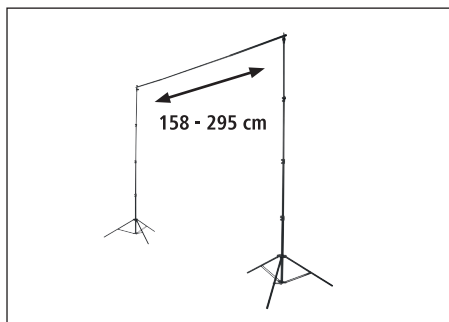


## Backgroundsystem Telescope

## Hintergrundsystem Teleskop



Hama GmbH & Co KG  
86652 Monheim / Germany

### Service & Support

[www.hama.com](http://www.hama.com)

+49 9091 502-0

**D GB**

All listed brands are trademarks of the corresponding companies. Errors and omissions excepted, and subject to technical changes. Our general terms of delivery and payment are applied.

